

DELPHI Week, Uppsala



Technical Panel, 15 Sept. 2000

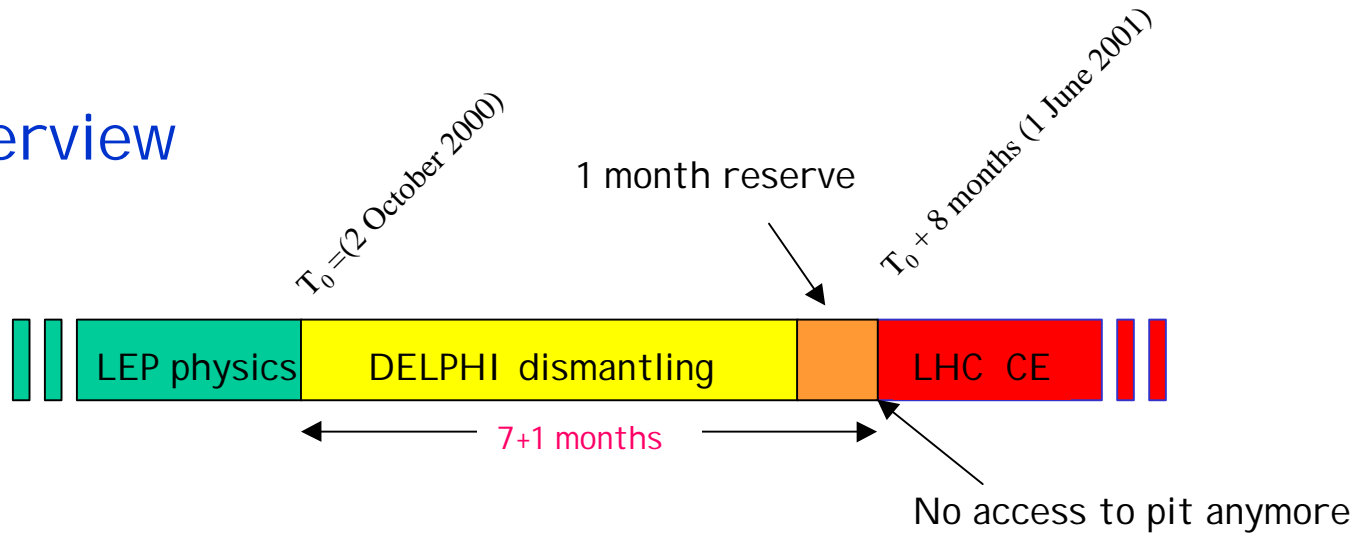
Agenda

- Status of the TPC Ph. Charpentier
- DELPHI dismantling C. Joram
- A.O.B.
- Access briefing for dismantling period C. Joram

DELPHI Dismantling



Overview



- The Barrel of DELPHI will be kept as an exposition piece.
- Baseline configuration:
 - Keep Barrel + D1, D2, B2, A3.
 - Dismantle endcaps.
- Start of dismantling ?

A lot of useful information can be found on our webpage

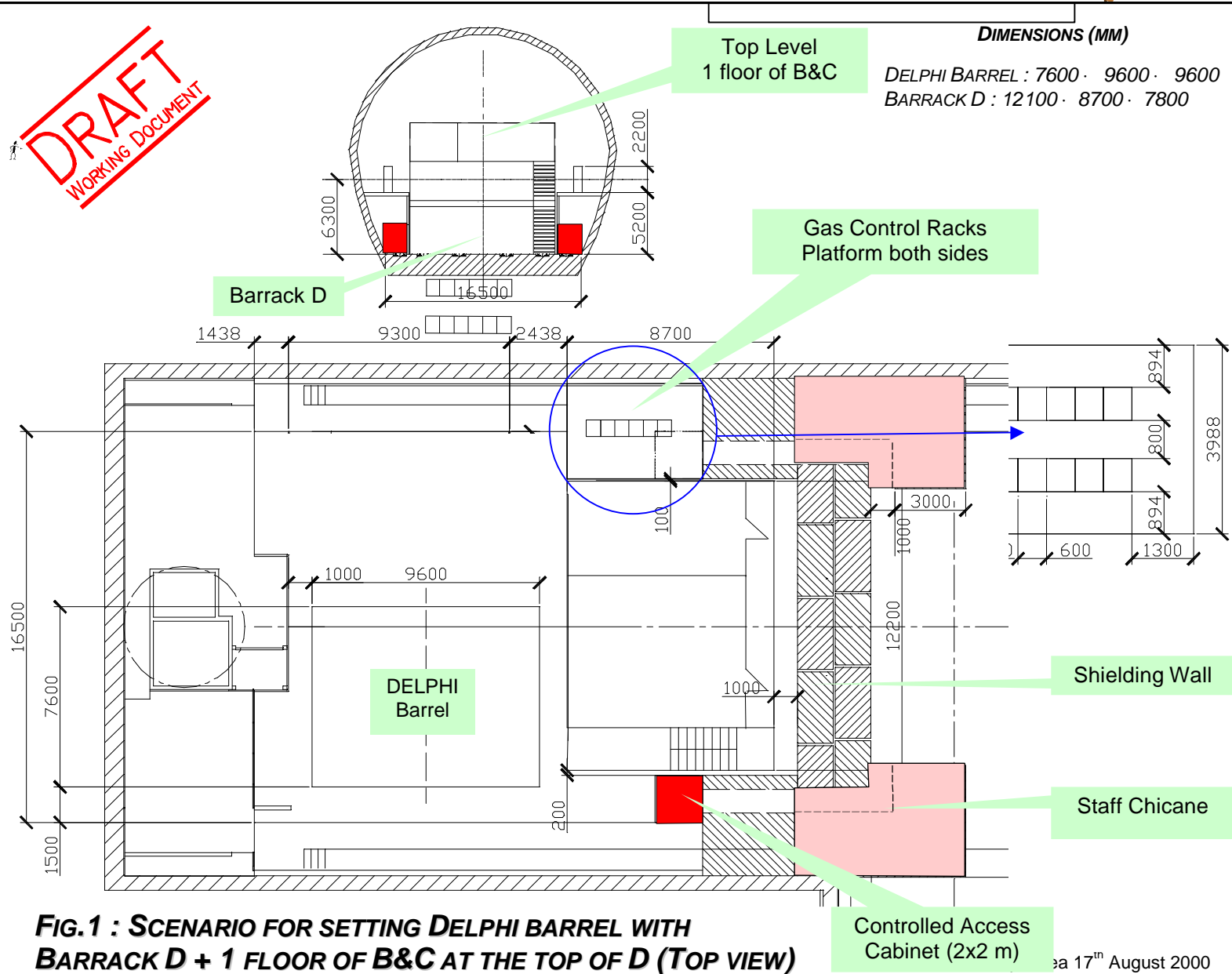
http://joram.home.cern.ch/Joram/DELPHI_Dismantling/Dismantling.html

easier: DELPHI Home -> [about DELPHI](#) -> [DELPHI Dismantling](#)



Everything is/will be described in **Dismantling Project Report**, regularly updated on the WEB.

DRAFT
WORKING DOCUMENT



DRAFT
WORKING DOCUMENT

DIMENSIONS (MM)	
DELPHI BARREL :	7600 · 9600 · 9600
BARRACK D :	12100 · 8700 · 7800

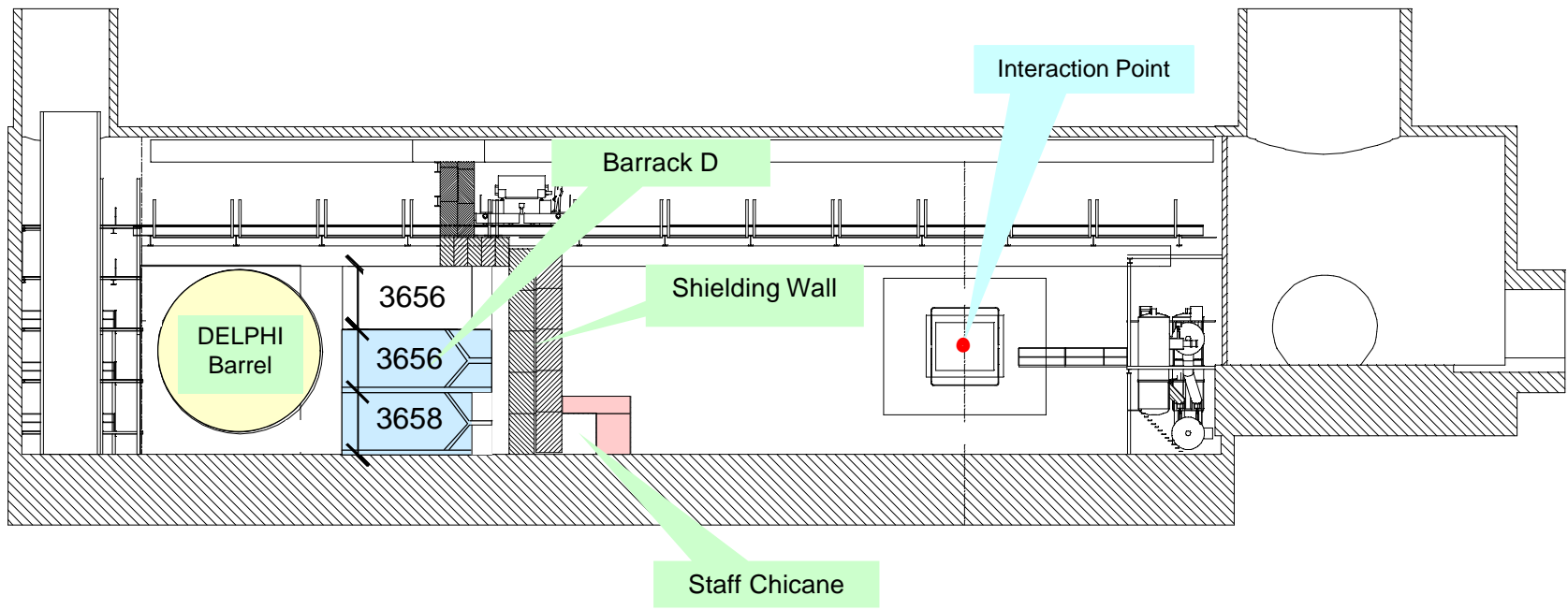


FIG. 2 : SCENARIO FOR SETTING DELPHI BARREL WITH BARRACK D + 1 FLOOR OF B&C AT THE TOP OF D (SIDE VIEW)

Official requests for detectors for use in future experiments



- MUB, HOF, TOF (with everything!) >> CosmoLHC (K. Eggert) to be rediscussed in view of the EXPO project
- MUF: (with everything!) >> CUPP (Finland)
- RIF: T. Ekelof requests the mirrors of 1 RIF side (60 mirrors), as RIB will not be dismantled. >> Techn. Museum Stockholm.

Dismantling planning



Planning had to be redone for DELPHI - LHCb EXPO

Main differences

- gas platforms and counting houses have to be emptied rather early
- remove electronics with high priority
- remove gas equipment (A3,B4, C3) with high priority

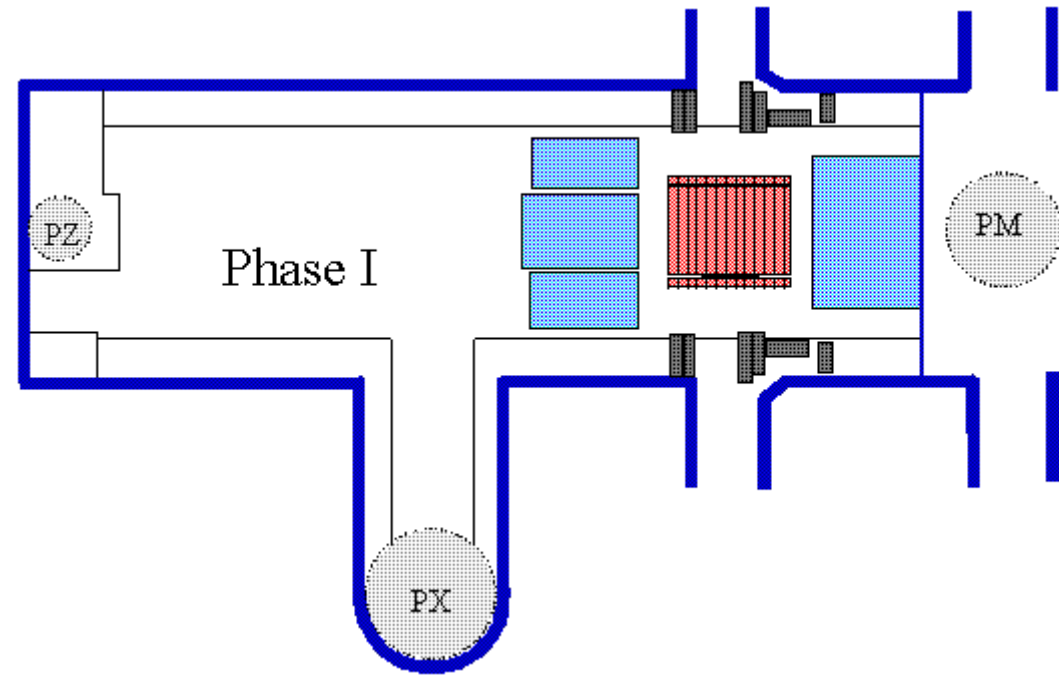
- somewhat more comfortable schedule
- total length 6 reduced to 6 months

Philippe Gavillet will inform you soon about an updated planning for the electronics.

Phase I

week 1

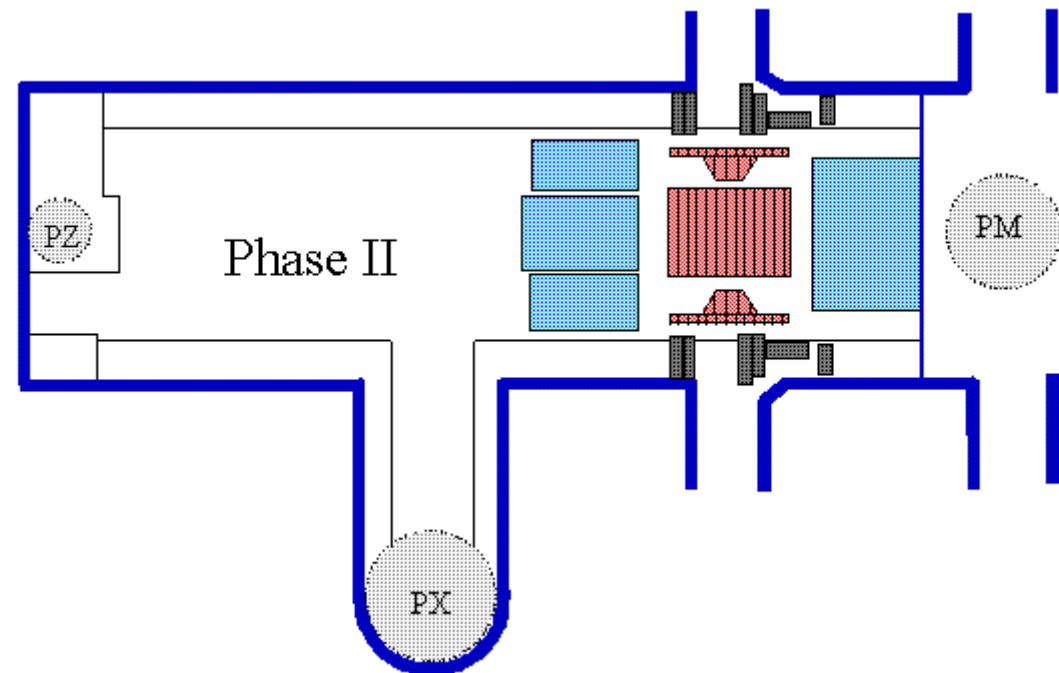
- purge flam. gases
- demagnetize solenoid
- preparatory tasks
- remove SMC (partly)



Phase II

week 2 - 4

- open endcaps
- warm up solenoid
- dismantle
 - * Beampipe
 - * MUB outer chambers
 - * STIC
 - * TAG, LASER
 - * MVTX
 - * FCA



Phase III

week 5 - 8

dismantle

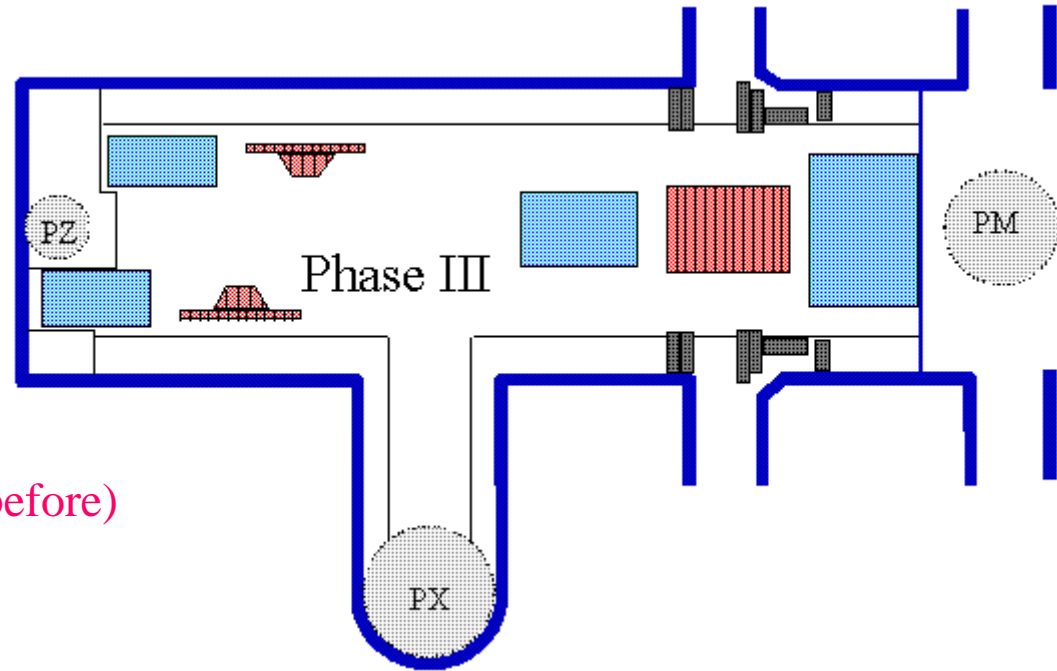
* RIF

* FCB

* FEMC

* MUB

* Platf. B4 + Bar. B3 (to be emptied before)



Phase IV

week 9 - 12

dismantle

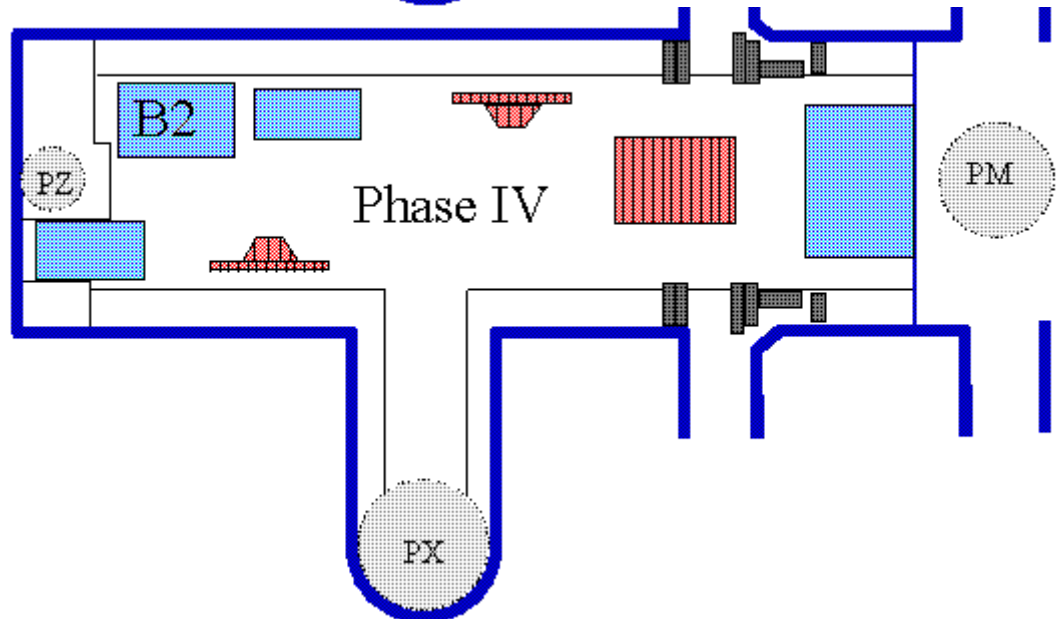
* Bar. B2 (store)

* Bar. B1 (scrap)

* MUF

* HOF

(to be emptied before)

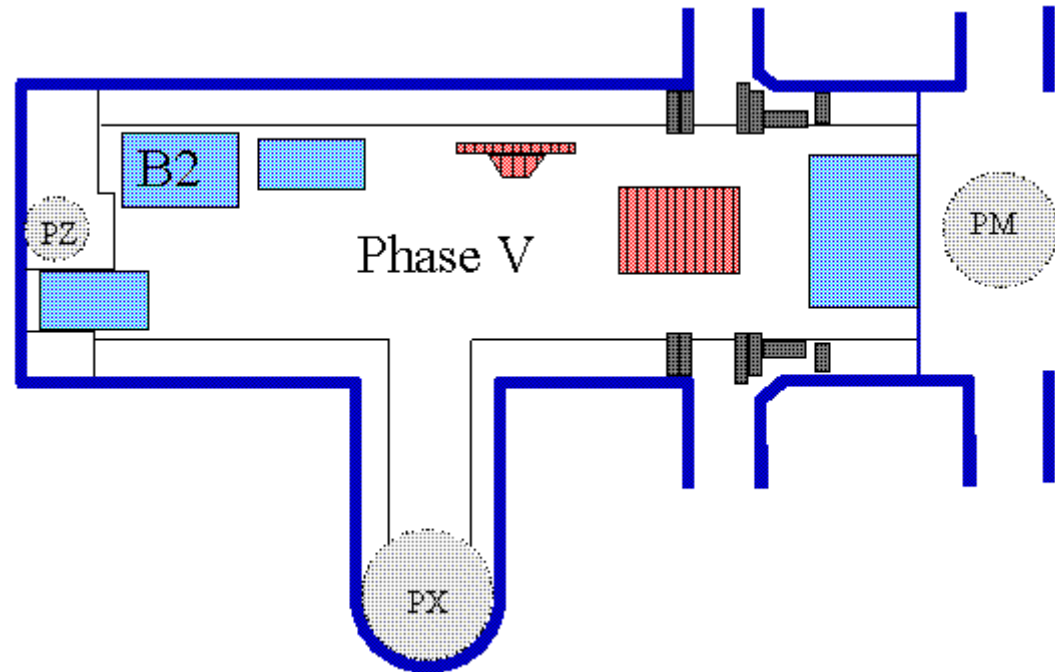


Phase V

week 13 - 17

dismantle

- * FHAC thin endcap
- * FHAC thick endcap
- * Prepare Barrel for EXPO

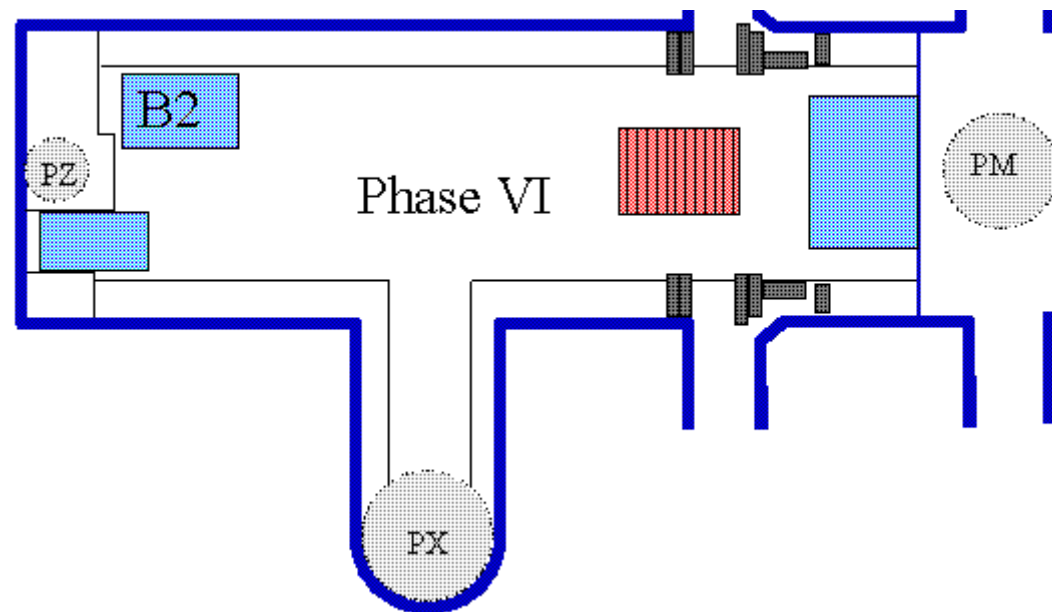


Phase VI

week 18 - 20

dismantle

- * Platf. A3 + C3
 - * Bar. C2 + C1
 - * Bar. A2 (store)
 - * Bar. A1
- (to be emptied before)



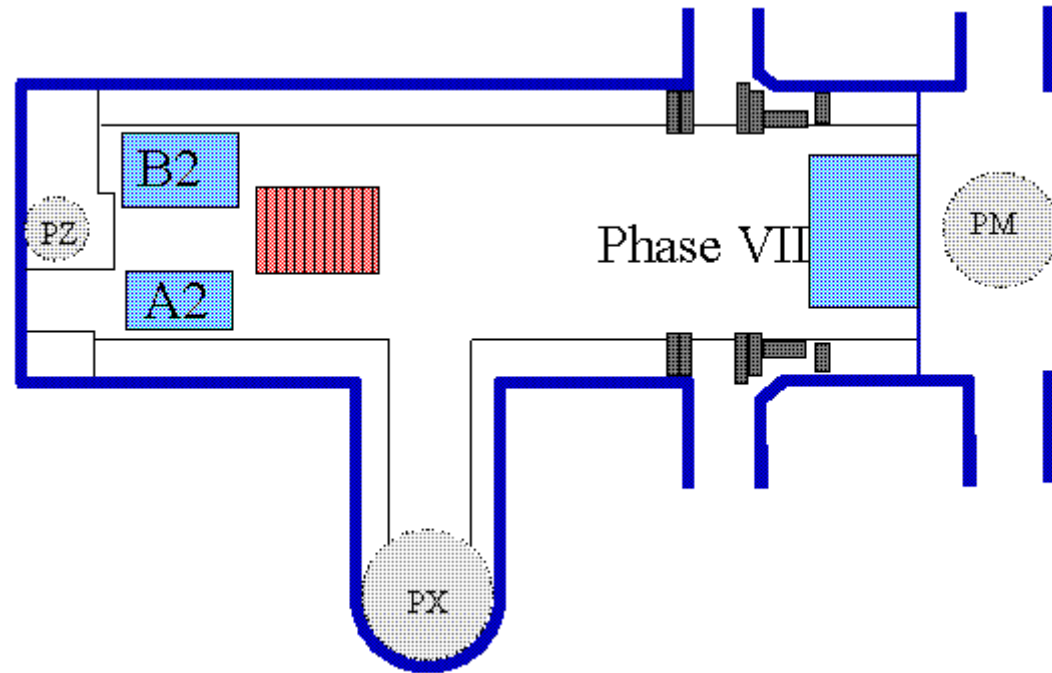
Phase VII

week 21 - 24

dismantle

* Platf. D3

* Install B2 + A3 on top of D2



- Barrel + barrack tower D have then to be packed in a dust tight cocoon.
- Hibernate rest of 2001 and part of 2002 while heavy civil engineering work takes place in cavern.
- Foresee possibility to move Barrel + barrack D according to needs of CE.
- Finally: Bring Barrel to its EXPO position (off the rails !?) and set it up for visits (open TPC, B-RI CH, ...)

Very preliminary ! Guaranteed to change !



Detector	Period	Start	End
VSAT + STIC cabling	3 days	Tue 3/10/00	Thu 5/10/00
SMC 4 upper and lower chambers	3 days	Wed 4/10/00	Fri 6/10/00
remove outer MUB chambers- prepare electronics	8 days	Mon 9/10/00	Wed 18/10/00
VETO+Fibers	4 days	Mon 9/10/00	Thu 12/10/00
TAG 40° A + C	3 days	Wed 11/10/00	Fri 13/10/00
LASERS A + C	2 days	Mon 16/10/00	Tue 17/10/00
STIC A	2 days	Tue 17/10/00	Wed 18/10/00
STIC C	2 days	Thu 19/10/00	Fri 20/10/00
remove MVTX	2 days	Mon 23/10/00	Tue 24/10/00
remove FCA	2 days	Wed 25/10/00	Thu 26/10/00
remove FRICH	7 days	Mon 6/11/00	Tue 14/11/00
remove FCB	2 days	Wed 15/11/00	Thu 16/11/00
remove FEMC	20 days	Fri 17/11/00	Thu 14/12/00
remove MUB	20 days	Fri 10/11/00	Thu 7/12/00
remove MUF A and C	10 days	Mon 4/12/00	Fri 15/12/00
remove HOF A and C	5 days	Mon 18/12/00	Fri 22/12/00



Some basic rules (partly consequences of being an I NB)

A new 'global' access control system will become effective at the end of LEP.
Current access database will be set to zero !

Only people having attended the access briefing will have access after T_0 .

Access briefing today and later also locally at DELPHI pit (G. Lenzen)

During a short period (1-2 weeks, gas purge, solenoid demagn.) the caverns are still considered as experimental areas.

Condition: Only standard shutdown work !

Afterwards they become dismantling worksites >> strict safety measures

French authorities will follow closely what we are doing.

Violation of rules may have drastic consequences !

DELPHI - Dismantling Worksite

Respect conditions of access and material removal

Access card and film badge compulsory

Working hours for personnel: 7h00-19h00

Removal of material: 8h00 - 12h00, 13h00 - 17h00



Compulsory control of radioactivity of materials



Safety helmet and Safety shoes compulsory



No smoking - Keep clear and tidy



Beware of handling gear operations and transport vehicles: Keep clear



Do not pass under the handling shaft



Visits forbidden

Accident, Fire: Telephone 112 or Red Telephone or 74444
Breakdown Service: Telephone 72201
GLIMOS 160626